

M=BUS USB Gateway

Stationary interface between M=BUS data loggers and PC with USB 1.1 standard that supplies power, trigger and network signal.

- | Support of one bus line
- | Plug and play USB connectivity
- | USB full speed



TECHNICAL SPECIFICATIONS

| | |
|------------------------------------------------------|--------------------------------------------------------------------------------------------------------|
| Max. number of M=BUS lines / Max. number of channels | 1 / 6 (M=BUS Indummy) with USB power 1 / 192 (M=BUS Indummy), 48 (M=BUS Pro) with external power |
| Supply voltage | 18...22 VDC |
| Static power consumption (unloaded) | 47 mW |
| Max. power consumption with full sensor load | 22 W |
| Trigger | Trigger-Bus (RS 485), 5V-TTL compatible, insulated 300 V |
| Communication | USB 1.1 |
| Dimensions (L x W x H) | 95 mm x 80 mm x 32 mm |
| Weight | 218 g |
| M=BUS connectors | MMCX female |
| Operating temperature | 0...50 °C |
| Humidity range | 10...70 % RH |

- Scope of supply**
- | M=BUS USB Gateway
 - | Power supply and cable (3 m)
 - | USB cable for M=BUS USB Gateway (3 m)
 - | Trigger switch

- Required equipment**
- | CrashSoft control software

- Options**
- | M=BUS Indummy Logger
 - | M=BUS Indummy Active Terminator
 - | M=BUS Pro Analog Logger
 - | M=BUS Pro Digital Logger
 - | M=BUS Pro Active Terminator

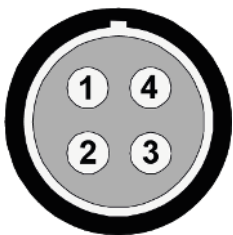
PIN ASSIGNMENT



| Pin | Description | Pin | Description |
|-----|-------------|-----|---------------|
| 1 | USB +5 V | 5 | Not connected |
| 2 | USB Ground | 6 | Not connected |
| 3 | USB Data + | 7 | Not connected |
| 4 | USB Data - | | |

Figure 1: Pin assignment USB connection (socket view, device)

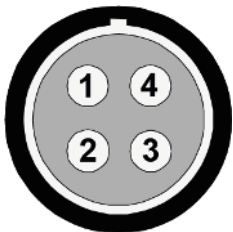
Use this plug: LEMO FGB.1B.307...



| Pin | Description | Pin | Description |
|-----|----------------------|-----|-------------------------|
| 1 | Trigger 5 V / 120 mA | 3 | Trigger signal A |
| 2 | Trigger signal B | 4 | Trigger isolated ground |

Figure 2: Pin assignment trigger bus (socket view, device)

Use this plug: LEMO FGG.1B.304...



| Pin | Description | Pin | Description |
|-----|--------------|-----|---------------|
| 1 | Supply +22 V | 3 | Not connected |
| 2 | Ground | 4 | Not connected |

Figure 3: Pin assignment power supply (socket view, device)

Use this plug: LEMO FGG.2B.304...

Description of LED meanings:

LED flashing speed, color:

| | |
|-------------------------------------------------|---------------|
| Turn on (only during connecting of the gateway) | Medium, green |
| After trigger | Fast, red |
| Scan the bus line | Slow, green |
| Armed | On, red |
| Arming stopped | On, green |
| Download and end of data recording | Slow, red |

TRIGGER BUS

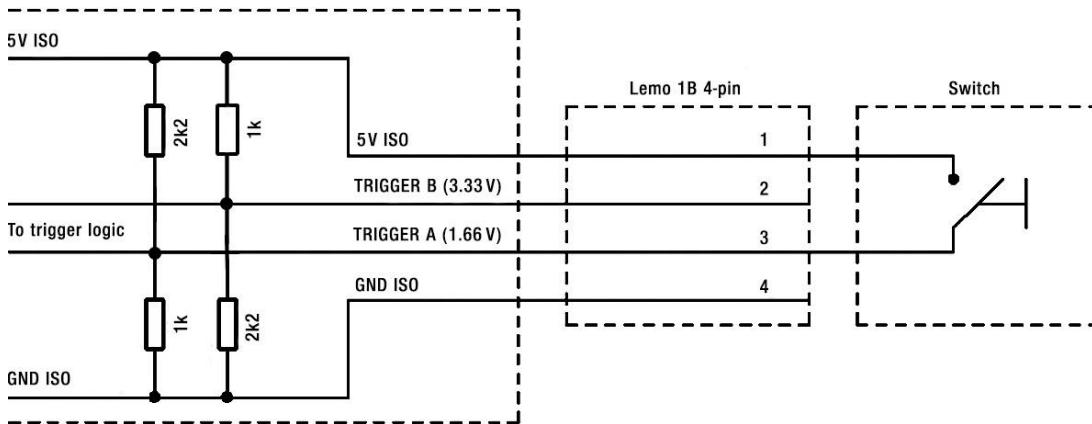


Figure 4: Schematic for trigger switch

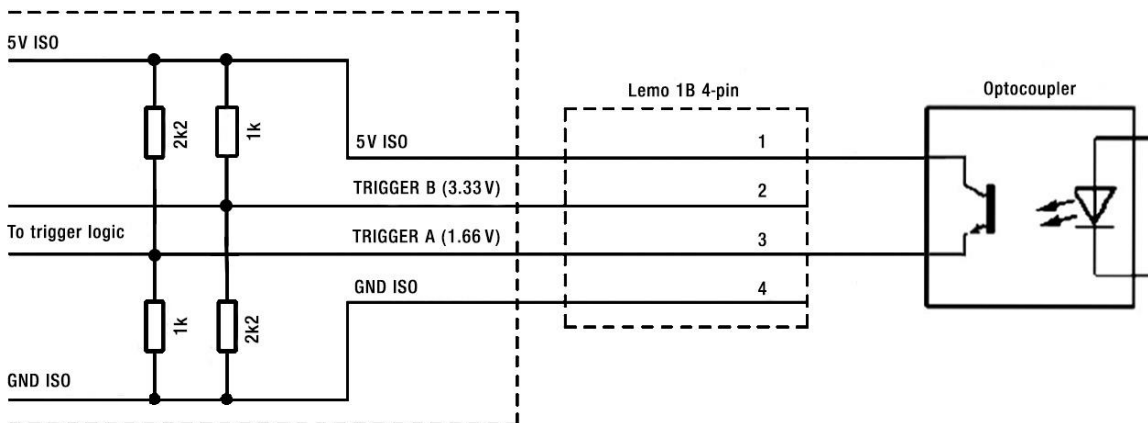


Figure 5: Schematic for optocoupler

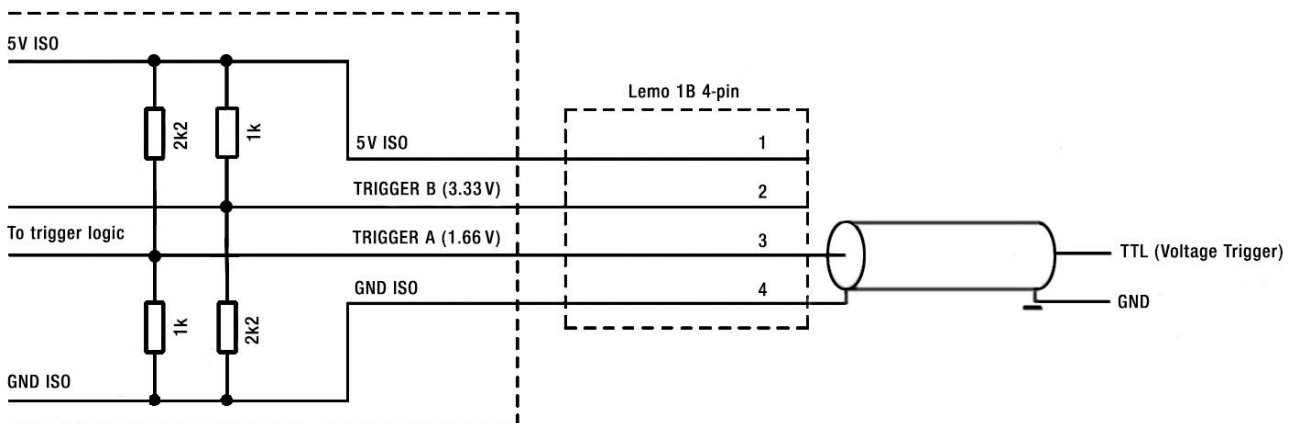


Figure 6: Schematic for TTL