

Shockproof interface between M=BUS data loggers and PC with Ethernet standard that supplies power, trigger and network signal.

- Support of 3 or 6 bus lines
- High level of data security – automatically activated built-in backup system
- Display for status monitoring



TECHNICAL SPECIFICATIONS

Max. number of M=BUS lines / Max. number of analog channels	6 / 1,152 (M=BUS Indummy), 288 (M=BUS Pro) or 3 / 576 (M=BUS Indummy), 144 (M=BUS Pro)
Supply voltage	18...22 VDC
Static power consumption	2.65 W
Max. power consumption with full sensor load	6 M=BUS lines: 135 W 3 M=BUS lines: 70 W
Trigger	Trigger-bus (RS 485), 5V-TTL compatible, insulated 300 V Autotrigger at cable disconnect
Communication	IEEE 802.3 i/u Ethernet 10 Mbit/s / 100 Mbit/s
Battery capacity	500 mAh, 3.7 VDC (Lithium-Polymer) Yearly maintenance mandatory
Data storage	Flash non-volatile
Dimensions (L x W x H)	80 mm x 84 mm x 40 mm
Weight	6 M=BUS lines: 359g (MMCX) 3 M=BUS lines: 353g (MMCX), 384g (SMA)
M=BUS connectors	MMCX female or SMA
Operating temperature	0...50 °C
Shockproof	200 G @ 10 ms 1000 G @ 1 ms
Humidity range	10...70 % RH

- Scope of supply**
- M=BUS Pro Ethernet Gateway
 - Connector protection M=BUS Ethernet Gateway
 - Connecting cable for power, network and trigger (0.3 m)
 - Network cable, Western/Lemo (3 m)
 - Trigger switch
 - Power supply with cable (3 m)

- Required equipment**
- CrashSoft control software

- Options**
- M=BUS Indummy Logger
 - M=BUS Indummy Active Terminator
 - M=BUS Pro Analog Logger
 - M=BUS Pro Digital Logger
 - M=BUS Pro Active Terminator
 - M=BUS Pro Mounting Rail
 - M=BUS UPS
 - M=BUS Pro Mounting Plate

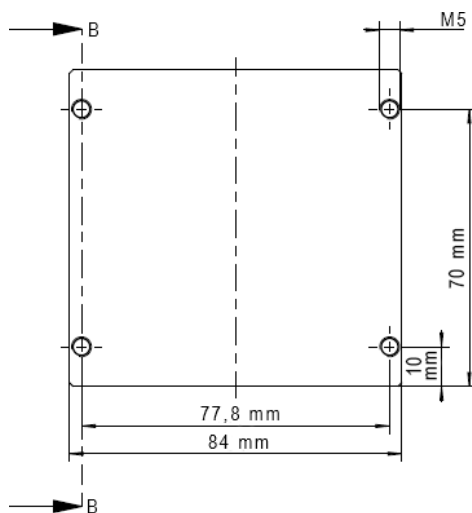
MOUNTING

Figure 1: Hole pattern for mounting

PIN ASSIGNMENT

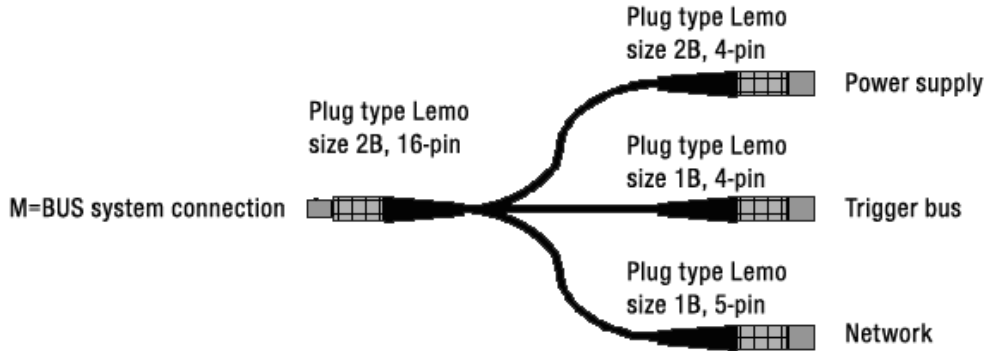
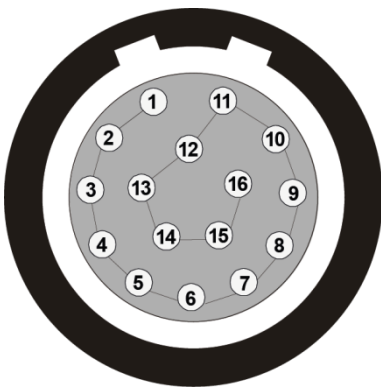


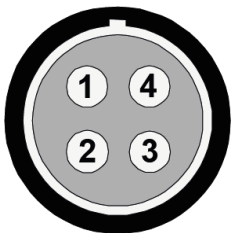
Figure 2: M=BUS Ethernet Gateway adapter cable



Pin	Description	Pin	Description
1	Network TX +	9	485 A
2	Network TX -	10	485 B
3	Network RX +	11	Supply +22 V
4	Network RX -	12	Supply +22 V
5	Trigger 5 V / 120 mA	13	Supply +22 V
6	Trigger signal B	14	Ground
7	Trigger signal A	15	Ground
8	Trigger isolated ground	16	Ground

Figure 3: M=BUS system connection (socket view, device)

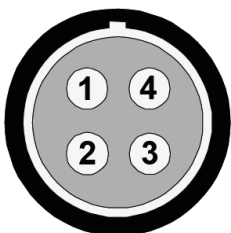
Use this plug: LEMO FGC.2B.316...



Pin	Description	Pin	Description
1	Supply +22 V	3	485 A
2	Ground	4	485 B

Figure 4: Pin assignment power (socket view, cable)

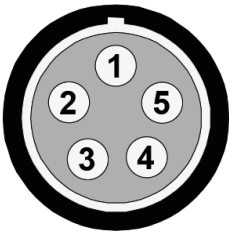
Use this plug: LEMO FGG.2B.304...



Pin	Description	Pin	Description
1	Trigger 5 V / 120 mA	3	Trigger signal A
2	Trigger signal B	4	Trigger isolated ground

Figure 5: Pin assignment trigger bus (socket view, cable)

Use this plug: LEMO FGG.1B.304...



Pin	Description	Pin	Description
1	Network TX +	4	Network RX -
2	Network TX -	5	Not connected
3	Network RX +		

Figure 6: Pin assignment network (socket view, cable)

Use this plug: LEMO FGG.1B.305...

TRIGGER BUS

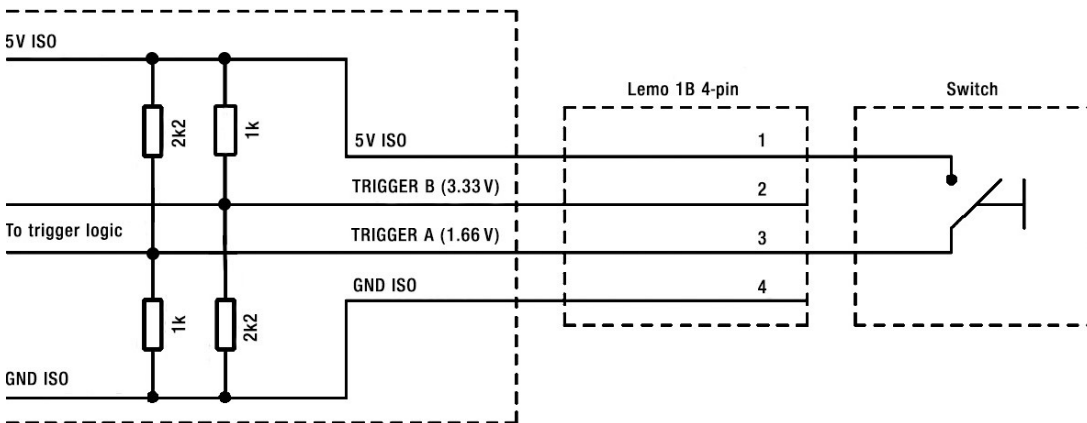


Figure 7: Schematic for trigger switch

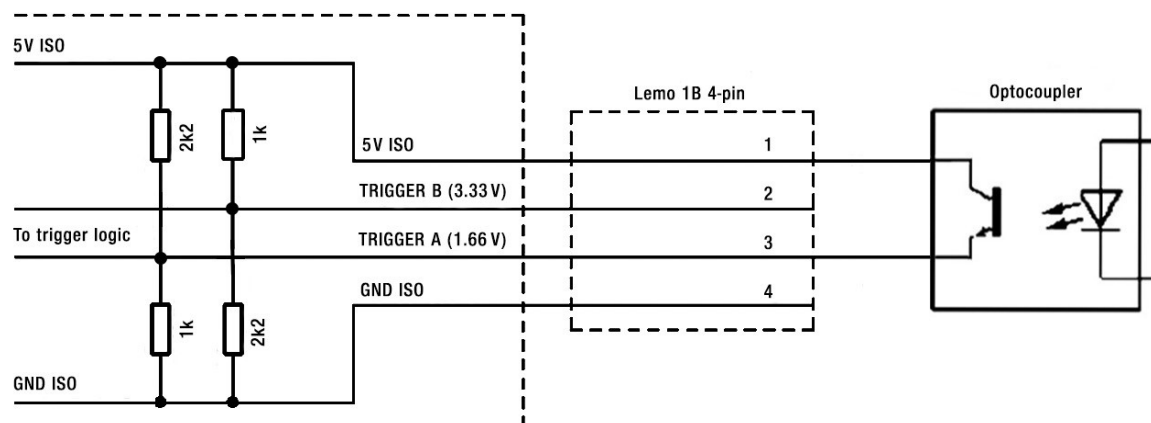


Figure 8: Schematic for optocoupler

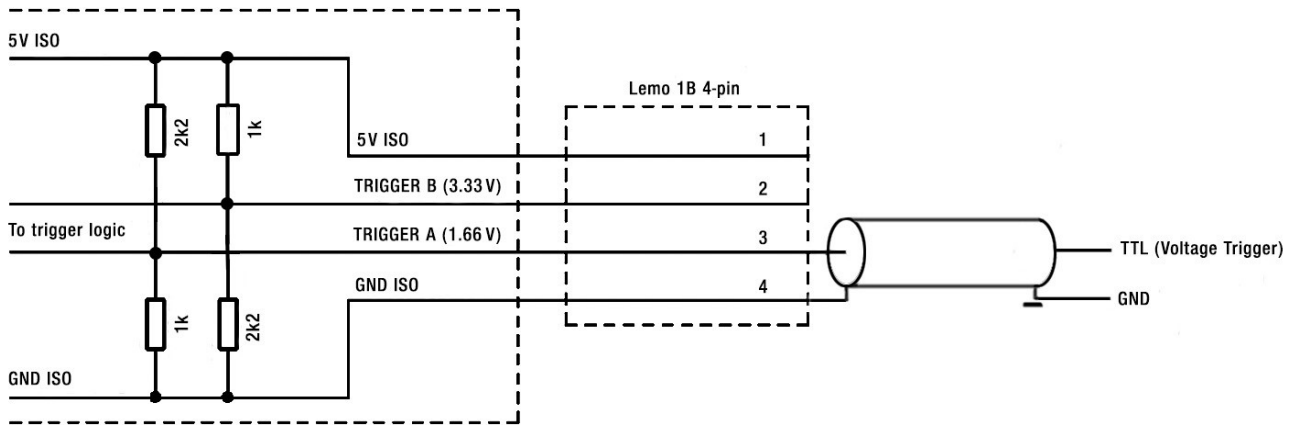


Figure 9: Schematic for TTL