

M=BUS LAB Ethernet Gateway

- | Support of 1 internal and 2 external M=BUS lines
- | For laboratory use (not shockproof)
- | Integrated terminator



TECHNICAL SPECIFICATIONS

Max. number of M=BUS lines / Max. number of analog channels	3 / 40 (11" housing) or 88 (19" housing)
Supply voltage	18...22 VDC
Power consumption (unloaded)	2.65 W
Max. power consumption with full sensor load	3 M=BUS lines: 70 W
Trigger	Trigger-bus (RS 485), 5V-TTL compatible, insulated 300 V
Communication	IEEE 802.3 i/u Ethernet 10 Mbit/s / 100Mbit/s
Data storage	Flash non-volatile
Dimensions	1 slot
Weight	138 g
M=BUS connectors	MMCX female
Operating temperature	0...50 °C
Humidity range	10...70 % RH

- Scope of supply**
- | M=BUS LAB Ethernet Gateway
 - | Network cable, Western/Lemo (3 m)
 - | Trigger switch
 - | Power supply with cable (3 m)

- Required equipment**
- | M=BUS LAB housing (fronts and screws)
 - | CrashSoft control software

- Options**
- | M=BUS LAB Analog Logger
 - | M=BUS LAB Digital Logger
 - | M=BUS LAB FAM 4C, device
 - | M=BUS LAB FAM 8C, device
 - | M=BUS LAB Igniter 4C, device
 - | M=BUS LAB Igniter 8C, device

PIN ASSIGNMENT

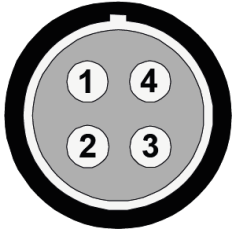


Figure 1: Pin assignment power
Use this plug: LEMO FGG.2B.304...

Pin	Description	Pin	Description
1	Supply +22 V	3	485 A
2	Ground	4	485 B

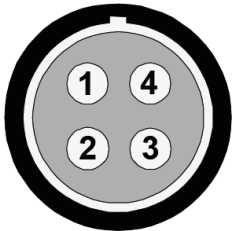


Figure 2: Pin assignment trigger bus
Use this plug: LEMO FGG.1B.304...

Pin	Description	Pin	Description
1	Trigger 5 V / 120 mA	3	Trigger signal A
2	Trigger signal B	4	Trigger isolated ground

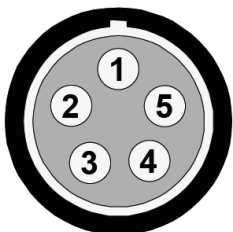


Figure 3: Pin assignment network
Use this plug: LEMO FGG.1B.305...

Pin	Description	Pin	Description
1	Network TX +	4	Network RX -
2	Network TX -	5	Not connected
3	Network RX +		

TRIGGER BUS

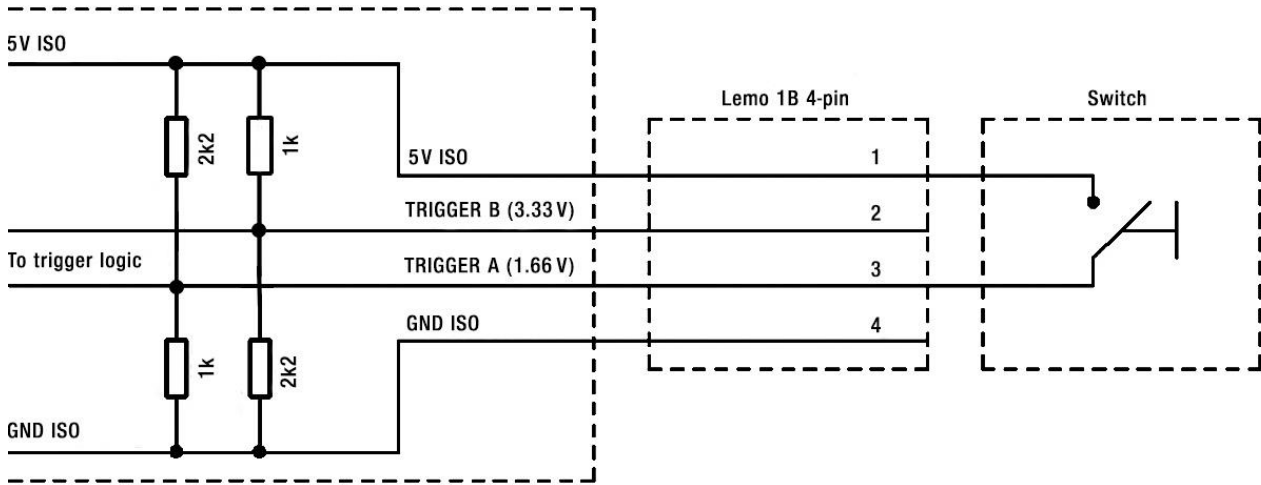


Figure 4: Schematic for trigger switch

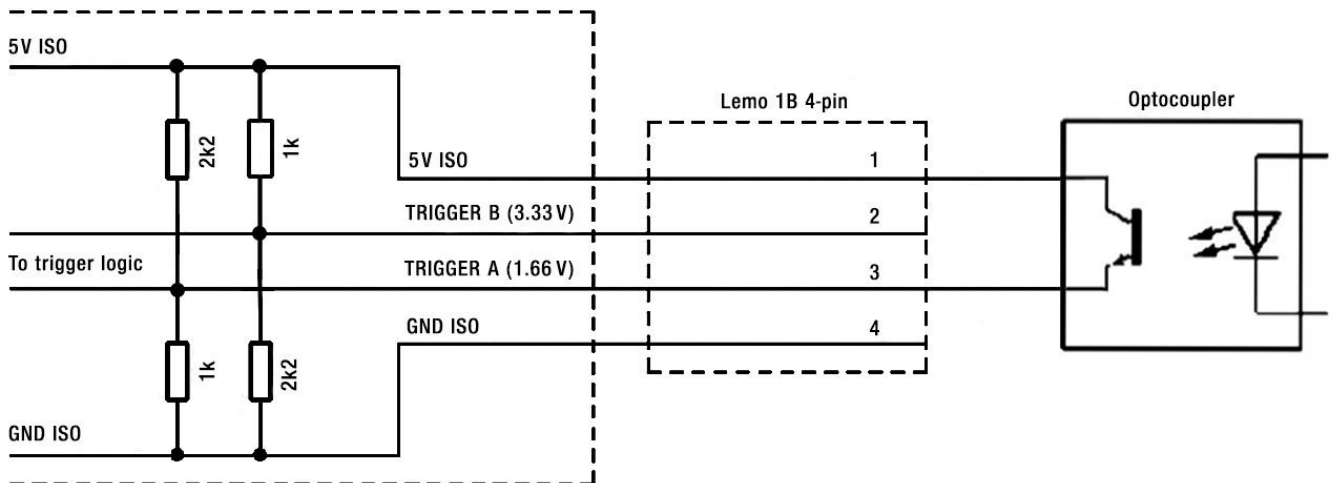


Figure 5: Schematic for optocoupler

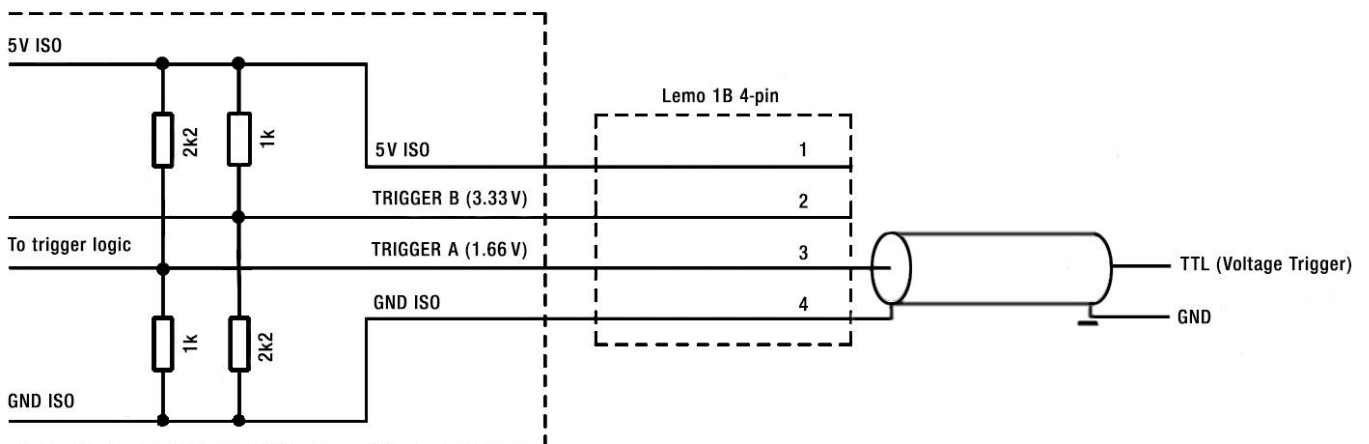


Figure 6: Schematic for TTL