

M=BUS®



- Ultra bright LED display
- Ruggedized aluminum housing
- 360° lighting angle
- Visibility Range: 100m
- Internal backup battery
- Report of four switching states (Bus Condition, Triggered, Recording)
- Two galvanically insulated outputs
- Independent bus participant

Figure 1: M=BUS® Status Display

M=BUS® Status Display

The M=BUS® Status Display is an additional system component which is applied as a further bus participant somewhere in an active bus line. It returns information about the M=BUS® system condition and measurement state by four switching states (table 1). The shockproof design guarantees a long life even under rough impact test conditions. The Status Display provides accessibility to the state of six M=BUS® lines from one M=BUS® Ethernet Gateway. Six ultra bright LEDs arranged in a hexagonal housing ensure a visibility range of 360 degrees around and a distance of up to 100m. Additionally external signalling devices can be connected to two galvanically isolated digital outputs.

To provide a certain status feedback even in case of a disconnected bus cable the M=BUS® Status Display is also equipped with a backup system which is activated automatically.

Switching status	Signal	Description
Bus Condition	Off	System is incomplete
Bus Condition	Green flashing	System is ready
Recording	Red flashing	System is armed
Triggered	Red/Green flashing	System is triggered

Table 1: Switching states

Technical Specifications

General

Maximum supported M=BUS [®] lines	6
Participant support	Up to 192
Power supply	18-24 V (compatible to NA3x)
Digital outputs	Galvanically insulated, breaking capacity: 100 mA
Field of vision	360°
Visibility range	100 m

Backup system

Rechargeable battery	Lithium-Polymer, 620 mAh / 3.7 V
----------------------	----------------------------------

Physical Dimensions

Overall dimensions L x W x H	78 x 67,5 x 37,5 mm
Weight	250 g

Environmental Characteristics

Temperature range	0...50° C
Shockproof	up to 1,000 G

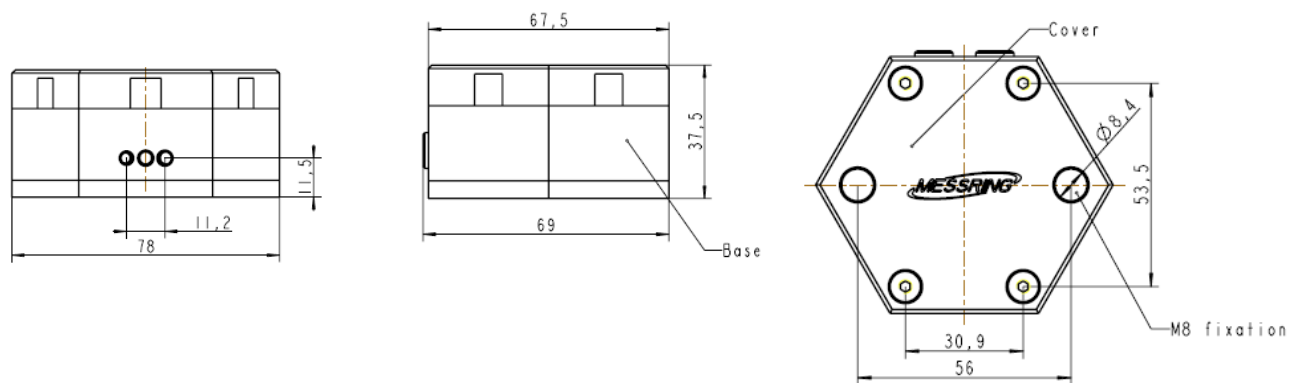


Figure 2: Outer dimensions of the M=BUS[®] Status Display